



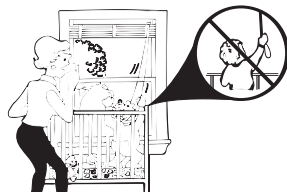
**Danger**



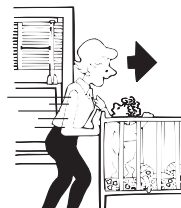
**Do not tie  
cords**



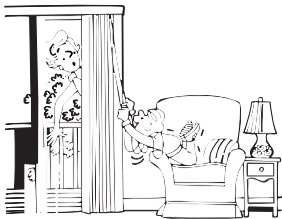
**Loops will appear  
when shade is in  
raised position**



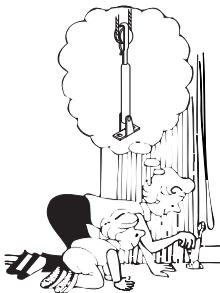
**Keep cords out of the  
reach of children**



**Move cribs and furniture  
away from cords**



Install a cord tension pulley or cord cleat



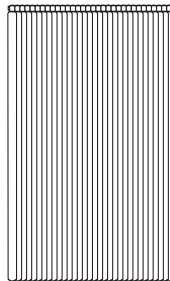
### Emergency First Aid For Strangulation

- Remove cord from child's neck
- Call 911 or emergency center
- Clear throat
- Check breathing and heart beat
- Begin CPR if necessary

# 1 | What's In The Box?

Thank you for purchasing your Kirsch LouverDrape® Soft Vertical Shade. Each Kirsch LouverDrape® Soft Vertical Shade is created using finely crafted textile fabrics that bring a beautiful drape effect to your window shade.

Here is a list of the parts that come with your shade kit.

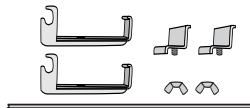


Vane Pack



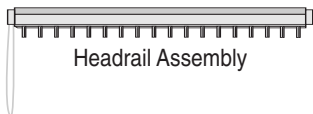
Cord Pulley

## Vane Pack Hanger Kit



(Hanger Rod, Hanger Brackets and Wing Nuts)

## Large Pieces



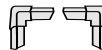
Headrail Assembly



Returns



Channel Valance  
(Standard)



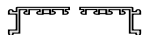
Corners



Wooden Valance, End Brackets and Finials (Optional)



## Assembly and Screws



Valance Clips



(Inside/ Ceiling)

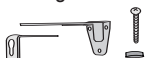


(Outside)

Mounting Brackets



Metal Screws



Center Support

(Optional-Use Pieces Shown)

## Optional Hardware (Not Included)



Molley Bolts  
(Plaster or Drywall)



Toggle Bolts  
(Lath or Plaster)



#8 Screws  
(Wood or Aluminum)

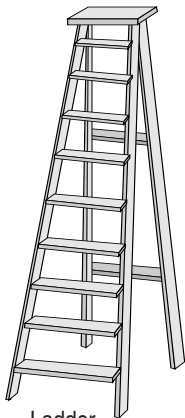
## 2 | Equipment You Will Need

You will need the equipment shown on the right to install your new shades.

**Warning:** Before installing your Kirsch shade make sure you have proper eye protection (glasses or goggles).

---

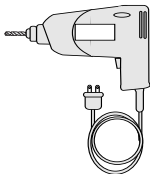
## Tools



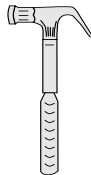
Ladder



Tape Measure



Drill and Bit



Hammer



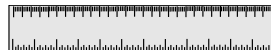
Pencil



Flat Head Screwdriver



Level



Ruler

## 3 | Practice Attaching The Mounting Brackets

Before you start, it's a good idea to see how the brackets will fit into the head-rail.

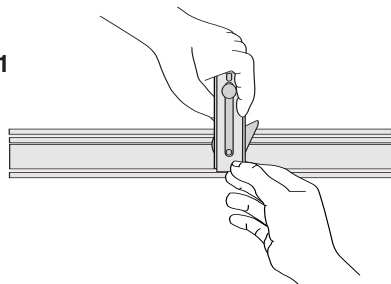
1. Fit the bracket into the groove on the headrail, as shown.
2. To lock the bracket into place, turn the lever from right to left.
3. After you are finished practicing, remove all of the brackets from the headrail.

Note: The inside mount installation brackets attach to the headrail in the same way.

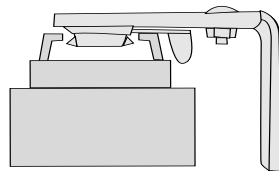
Note: For inside or ceiling mounts, grasp the lever from underneath and behind the headrail to lock into position.

---

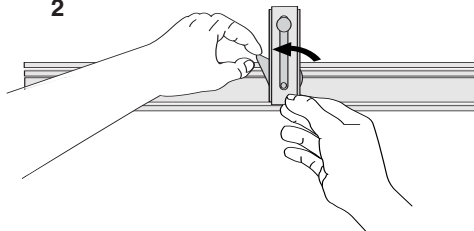
1



(Side View)



2



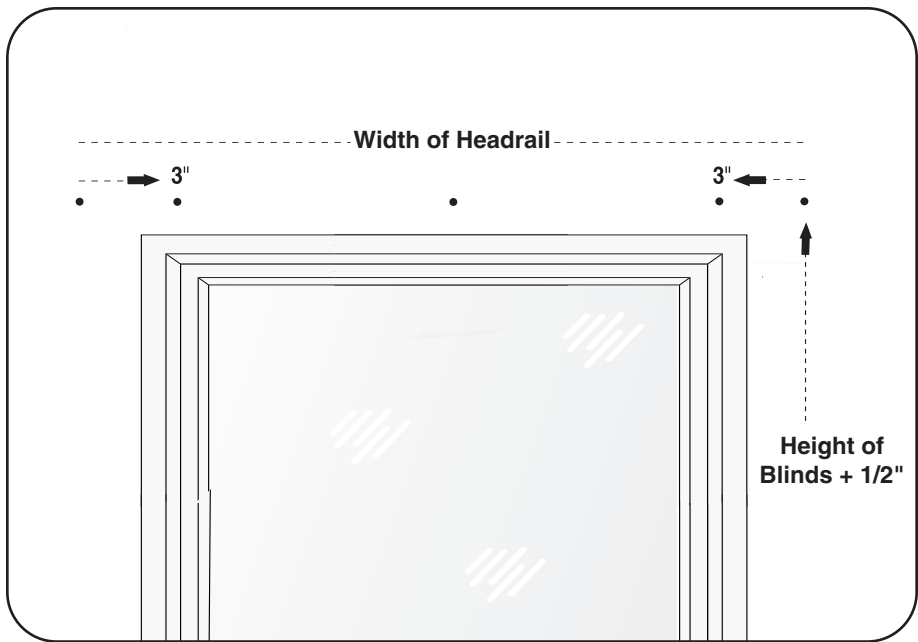
## 4 | Outside Mount Measurements

Note: If you ordered an inside or ceiling mount installation, please skip this section and see Instruction #6.

1. Measure the width of the headrail.
2. Mark both ends where the headrail will hang.
3. To mark the height, add 1/2" to the height of the shade you ordered.
4. Make two more marks, 3" in from each end of the headrail.
5. Make marks evenly across where the remaining brackets will be located.

Note: Be sure to use all metal/mounting brackets included in your packaging.

6. Use a level to check the accuracy of your points to ensure they are level. Remember, if your floor is not level, the marks will not appear level.
-



## 5 | Outside Mount Installation

Note: If you ordered an inside or ceiling mount installation, please skip this section and see Instruction #6.

1. Align the top of the brackets with your marks, as shown.
2. Mark the mounting holes, pre-drill, and attach the recommended hardware for your wall material. Use two screws per bracket.

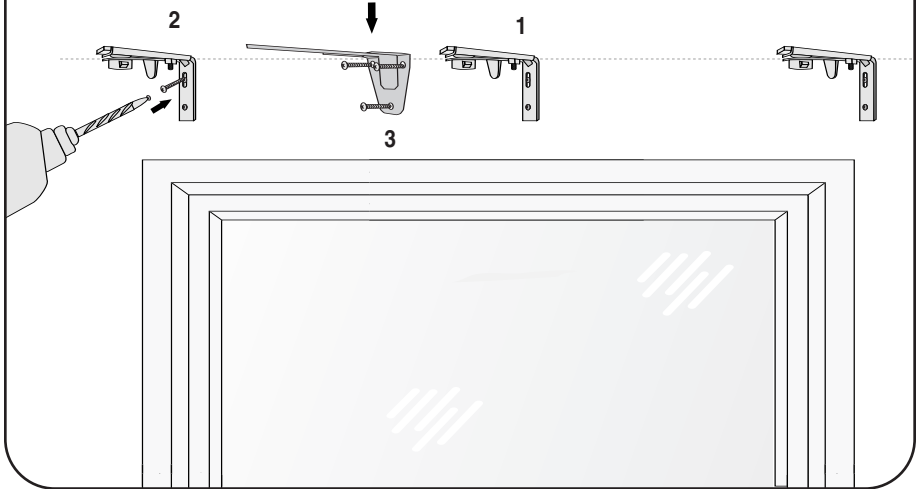
Note: Tighten screws securely. You may wish to mount a bracket on the opposite end of the vane stack which will support the weight when the shade is traversed open. A two way draw will require an extra bracket on each end.

### **Mounting the Optional Center Support Base**

Note: Skip the following steps if you did not order the optional Decorative Wood Valance option. Only use this support if the headrail is longer than 68".

3. Position the center support base (1 piece only) near the center of the shade, making sure that the top of the base is equal to the top of the mounting brackets.
  4. Mark the mounting holes with a pencil, pre-drill, and install.
-

**Center Support  
Base (Optional)**



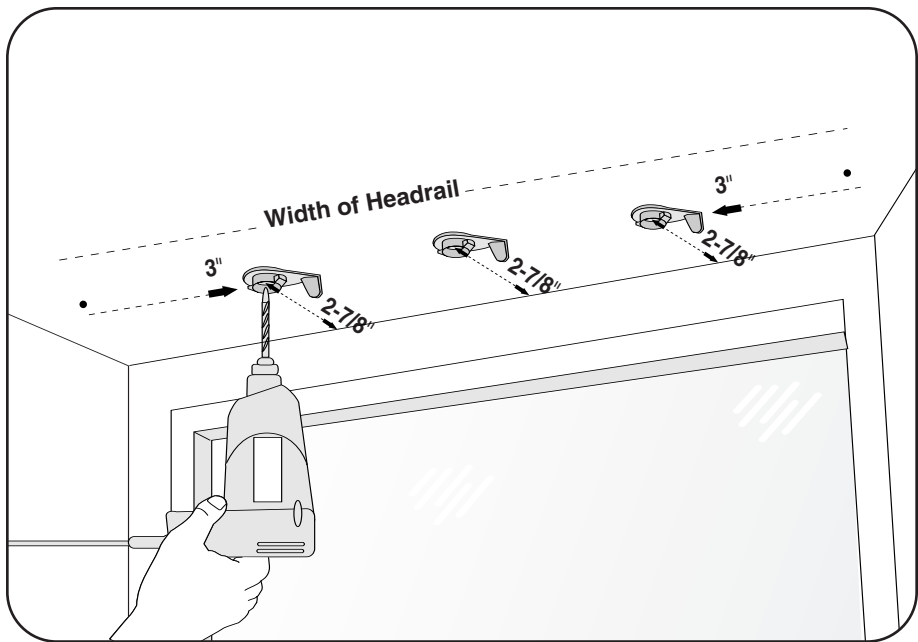
## 6 | Inside/Ceiling Mount Installation

Leave at least a 2-7/8" depth between the wall or window and the center of the bracket. Ensure this spacing on each individual bracket.

1. Make marks 3" (horizontally) in from each end of the headrail. Make marks evenly across where the remaining brackets will be located.
2. Pre-drill, and attach the recommended hardware for your wall material. Attach the screws into the brackets.

Note: Do not over-tighten the screws. The brackets must be loose enough to rotate.

Note: You may wish to mount a bracket on the opposite end of the vane stack which will support the weight when the shade is traversed open. A two-way draw will require an extra bracket on each end.



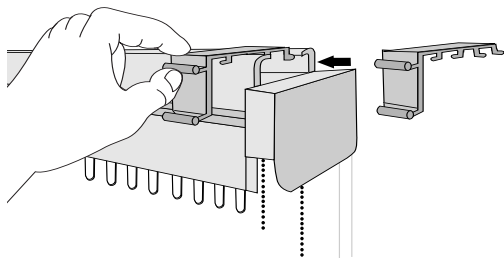
## 7 | Headrail Installation

1. Turn the headrail so that the controls are on the side you ordered (left or right). **If you have a Channel Valance, slide the channel valance clips into the groove on the headrail, as shown.**
2. Lift the headrail into the mounting brackets.
3. As you practiced, lock all brackets by turning the levers from right to left.

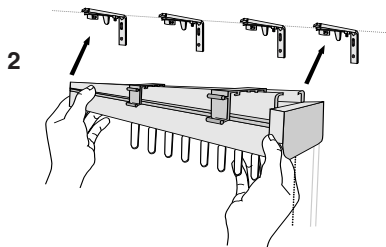
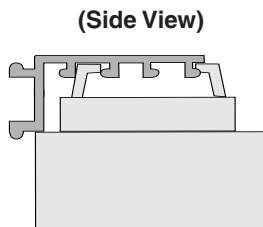
Note: The inside/ceiling mount attaches in the same way.

Note: For inside or ceiling mounts, grasp the lever from underneath and behind the headrail to lock into position.

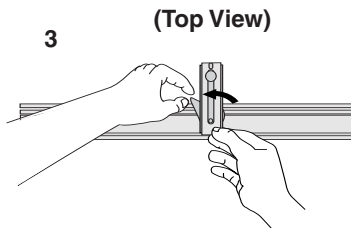
---



1



3



## 8 | Attaching the Wood Valance Brackets

Note: Follow these instructions only if you ordered the optional Decorative Wood Valance. If you ordered the Channel Valance, please skip to Instruction #11.

Note: The headrail mounting brackets should be fully projected from wall.

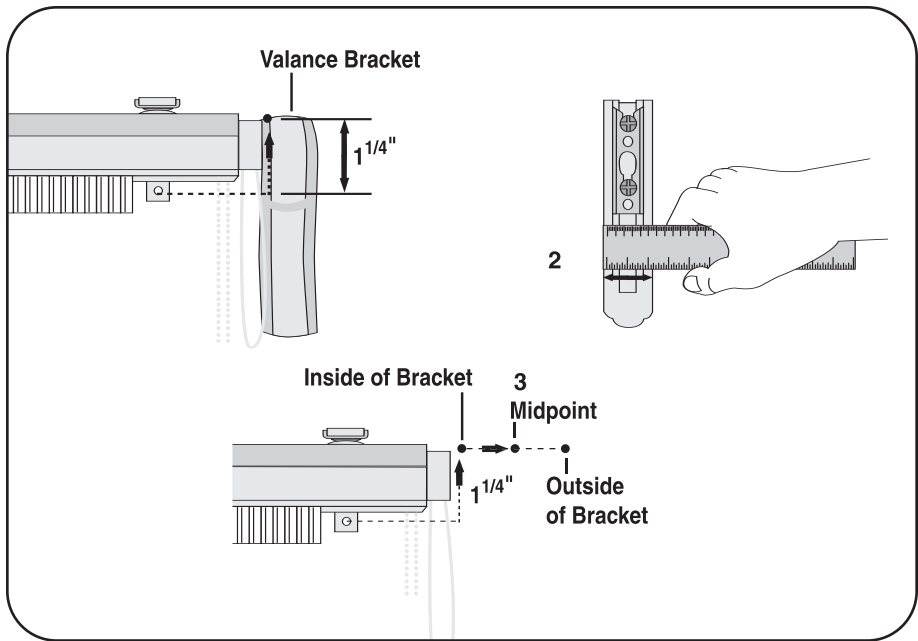
Note: Valance brackets should be flush with the ends of the headrail.

1. Measure 1 1/4" up from the center of the bottom screw of the headrail bracket. (See illustration.) Make a mark on the wall. This is where the inside of the valance bracket is positioned.

Note: Make sure your lines are level.

2. Measure the width of the wood bracket as shown. Divide this number by 2.

3. Make a mark this distance from the top mark you made (away from the headrail). This is the midpoint.

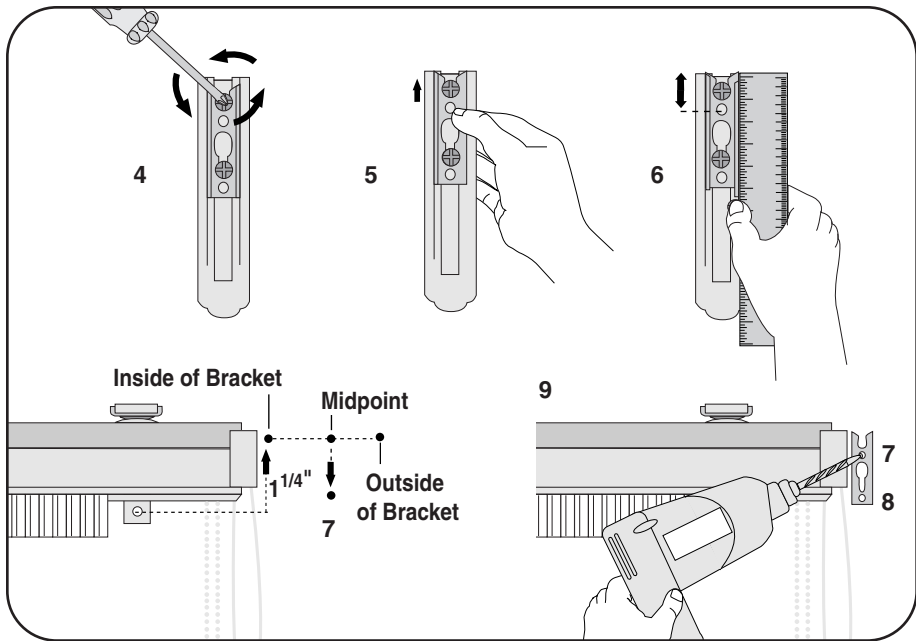


## 8 | Attaching the Wood Valance Brackets (cont.)

4. Loosen the mounting plate.
5. Push the plate completely up towards the top of the bracket against the screws.
6. Measure the distance from the top of the bracket to the center of the top screw hole.
7. Measure down this distance from the midpoint mark. Mark this spot and pre-drill.
8. Detach mounting plate from valance bracket. Mark and pre-drill the bottom hole.
9. Attach the mounting plate, and then the wood valance bracket.
10. Repeat steps 1-9 for the other wood valance bracket.

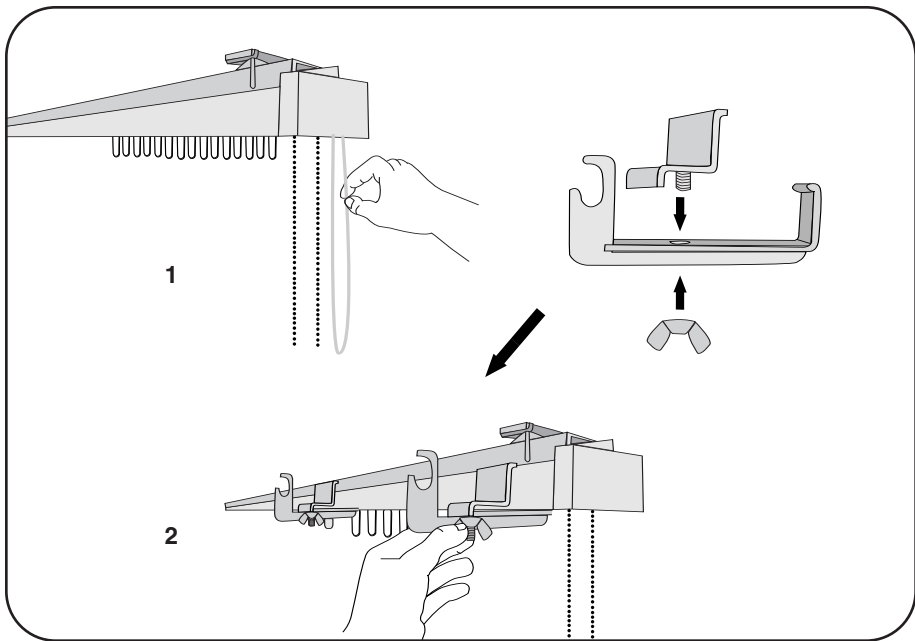
Note: If it makes it easier to drill the holes, you can remove the headrail temporarily then, when finished, mount the headrail back up.

---



## 9 | Mounting The Vane Pack Hanger Kit

1. Pull the white draw cord until all of the carriers are stacked to one end of the headrail. (One stack on each end for split draw.)
  2. Assemble the hanger kit brackets on each side of the carrier stack, as shown. (Repeat this for the other side for split draw.)
-



## 10 | Hanging The Vanes

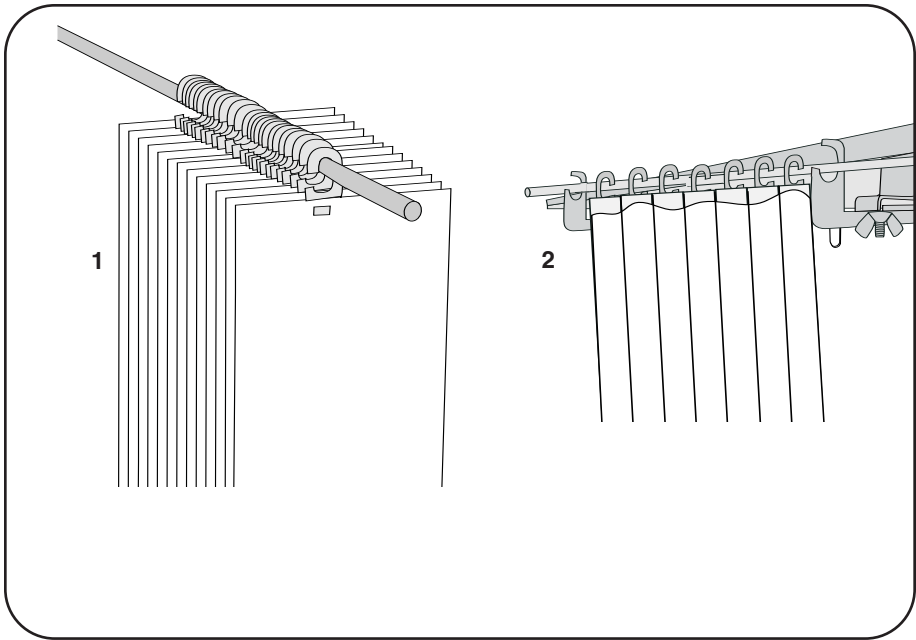
Note: You may need to remove one of the optional wood brackets on the end by your vane stack if it is in the way.

**Note: Handle vane pack with care.**

1. Open the top half of the vane pack, remove any clear tape and the twist tie from the hanger clips. Thread the hanger rod through the hanger clips.
2. Lift the vane pack while it is still in the protective bag. Lower the hanging rod onto the hanging brackets. Remove the protective bag and remaining foam blocks.

**Warning:** Depending on the size of your shade you may need two people to lift the vane pack onto the hanging brackets due to excessive weight.

---



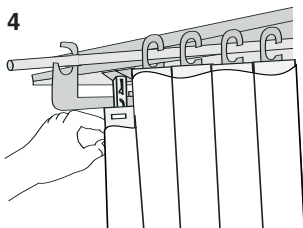
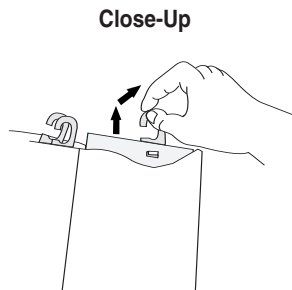
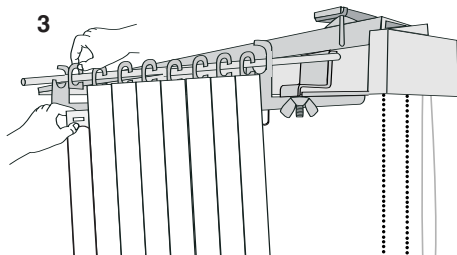
## 10 | Hanging The Vanes (cont.)

3. Working from left to right, grab the top of the first vinyl vane and remove it from the hanger clip with an upward and outward motion. Remove the hanger clip from the hanger rod.
4. Move the vane to the first carrier on the left and insert it into the vane stem. When you hear a clear snap, you'll know it's in place. Work from left to right to make sure you do not miss any carriers.

Note: If you make a mistake, you can detach the carrier from the vane stem using a credit card or another plastic card.

Note: Adjust the projection of the brackets so that the vanes clear any obstructions.

---

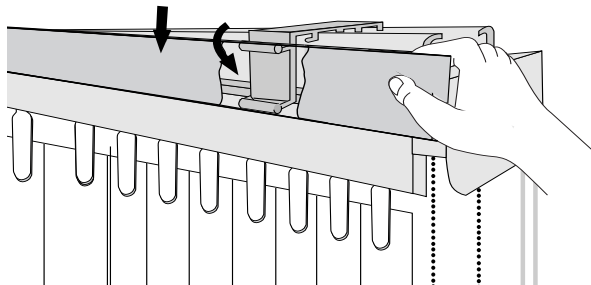


# 11 | Attaching the Channel Valance

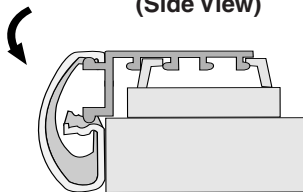
Note: Skip this step if you ordered the Decorative Wood Valance option.

1. If your valance is outside mount, attach the valance returns on the channel valance before mounting it to the headrail.
  2. Gently snap, from top to bottom, the channel valance onto the channel valance clips.
-

**Channel Valance**



**(Side View)**



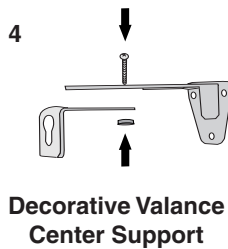
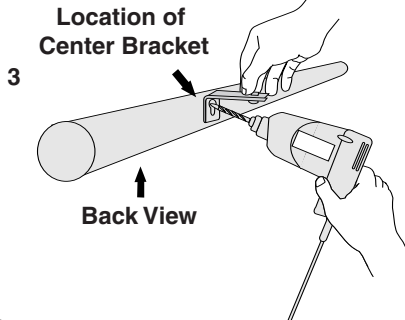
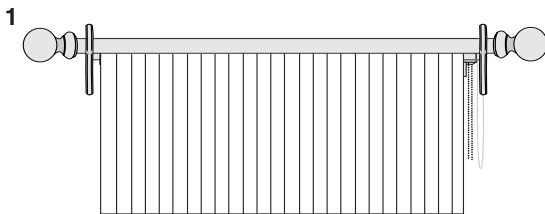
## 12 | Installing the Wood Valance Pole (Optional)

Note: If you needed to remove one of the wood valance brackets in Instruction #10, replace it.

1. Screw the finials onto each end of the pole. Place the pole on the valance brackets and position it so that it hangs evenly over the brackets at each end.

Note: If your shade is under 68" wide, continue to Instruction #13. If the shade is wider than 68", then you will need to anchor the pole to the center support bracket, as follows.

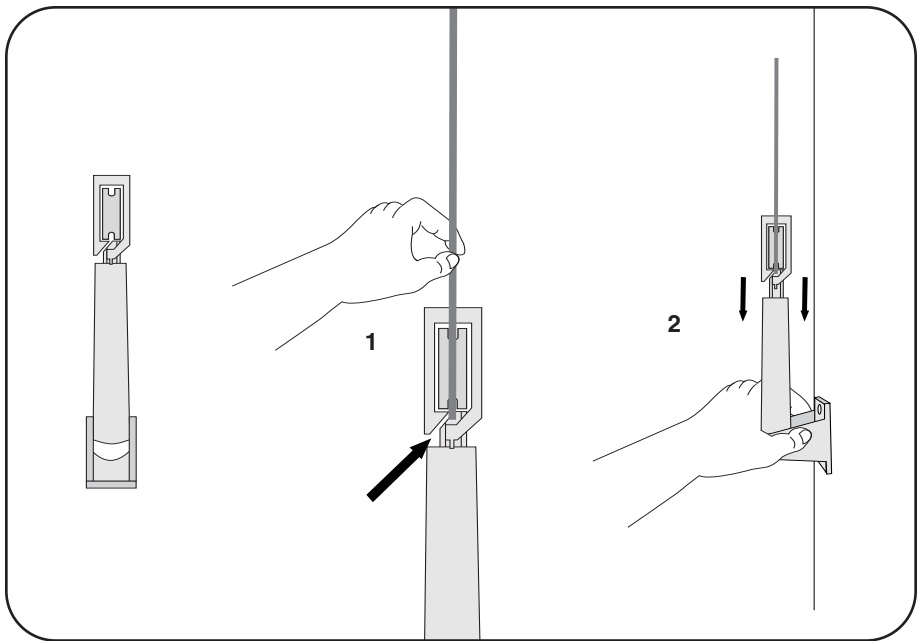
2. Locate the center of the center support bracket and place a mark on the pole at that location. Take the pole down.
  3. Pre-drill the spot you marked and using the supplied screw anchor the pole to the center support bracket.
  4. Put the pole back up and assemble the two pieces of the center support bracket.
-



# 13 | Installing the Cord Pulley

**Warning:** For the protection of children, it is EXTREMELY important that you carefully install the cord pulley. MAKE SURE that you install this device correctly as instructed.

1. Hold the "loop" at the bottom of the operation cord. Slide it under the diagonal opening at the top of the cord tension pulley. Make sure the cord "sits" in the groove of the circular carrier.
2. Pull downward until the cord is taut. Swing the base to be flush against the wall.
3. Mark the holes, pre-drill if necessary, and screw into place.



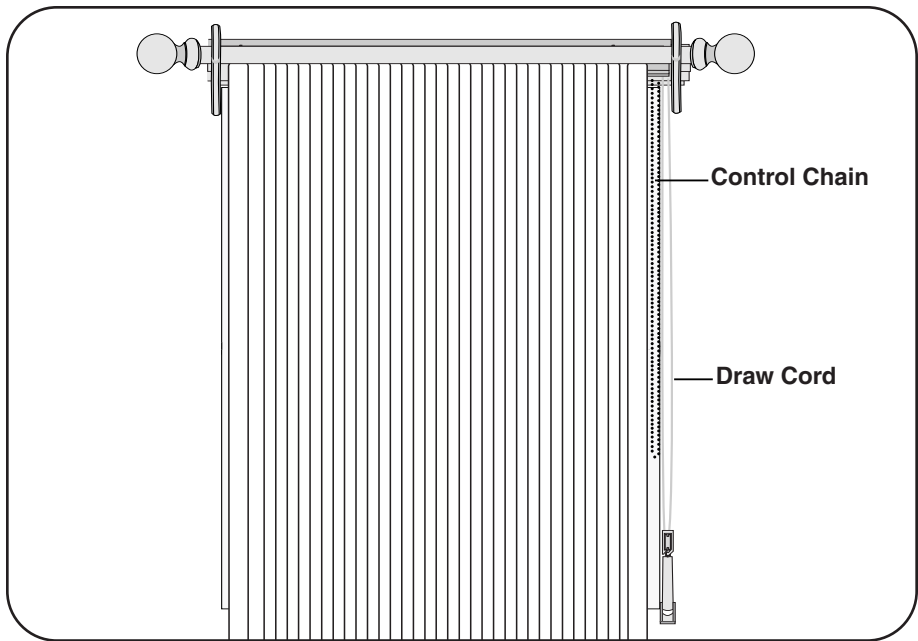
# 14 | Operation

## **To operate your shades:**

- 1.** Turn the vanes with the control chain until the vanes are open.

Note: Always make sure the vanes are open before pulling the draw cord of the shades.

- 2.** Pull the draw cord to easily open and close the shade.
-



**Control Chain**

**Draw Cord**

## 15 | Care

Thank you for purchasing your Kirsch LouverDrape® Soft Vertical Shade. Each Kirsch LouverDrape® Soft Vertical Shade is created using finely crafted textile fabrics that bring a beautiful drape effect to your window shade. Due to the materials used to create your unique product, you may experience slight variations in fabric consistency from one shade to another. Rest assured, these variations are designed to enhance the natural beauty of your shade.

You may notice a slightly creased or wrinkled appearance when you first receive and install your Kirsch LouverDrape® Soft Vertical Shade. This can be caused by the method of shipping Kirsch used to ensure you receive your product quickly and undamaged. Completely drawing the shade across your window and opening and closing the vanes over the course of several days will allow the fabric to relax and lose any creasing that may have occurred during shipping.

---

**IMPORTANT:** Please read the American Window Covering Association Warning included in these instructions. You will also find a warning tag attached to the traverse cord of your product. For your safety and the safety of others, keep these instructions. This insures that future owners of this Kirsch product are aware of the potential dangers associated with children playing with blind cords.

**IMPORTANT:** Please complete and return the enclosed warranty pamphlet. Retain the warranty information on the front panel for your records.